

EVA-22D-SE-RFID / EVA-22D-SE-RFID-C



22kW Pro Earth Floor AC Charger Dual Gun RFID
[63a Three Phase]



The Future of EV Charging

The EVA-22D-SE-RFID & EVA-22D-SE-RFID-C is a three-phase dual AC charging unit, packed with features, such as a no earth spike required installation. The dual gun charger is perfect for both domestic and commercial use with a market-leading five-year warranty.

This charger also has time shifting capabilities giving you the opportunity to save £100's per year*, a cable lock system for added security, free mobile monitoring app, and a dynamic load balancing system.

The EVA-22D-SE-RFID & EVA-22D-SE-RFID-C is ready out of the box and perfect for any domestic electric vehicle charging. The RFID unit comes with one RFID card as standard, with additional RFID cards (EV-RFID) available for purchase. Optional ground mounts (EV-GMEVA-D-2) & optional protection posts (EV-POST2) are available to purchase.



METHODS OF CONTROL

Plug & Charge - Project EV's ethos is to make charging electric vehicles easy and stress free for all. With the Plug and Play mode you do not require any additional software or applications to control your EV charge point, you simply plug your car into a Project EV device, and the charge begins.

RFID - RFID Mode Charging is an easy simple way for users to control their EV Charge Point with a swipe of a card. One RFID card is supplied as standard, however extra cards can be supplied for those interested in public charging.

Project EV App - The FREE Project EV App allows you to choose and customise charging rates, prioritise off-peak charging to maximise savings (including via a solar charging mode) and create charging records; so you can see and control all your data.

Project EV Pro App - The Project EV Pro App is a unique EV charging platform, providing you the ability to utilise public charging capabilities and manage and control multiple chargers - from which you can generate a fluid revenue stream.



Note - EVA-22D-SE-RFID/EVA-22D-SE-RFID-C Datasheet - Information correct as of 01/23

*The amount of potential savings you can save per year depends on your energy provider, and your set energy tariff rates.

Input & Output

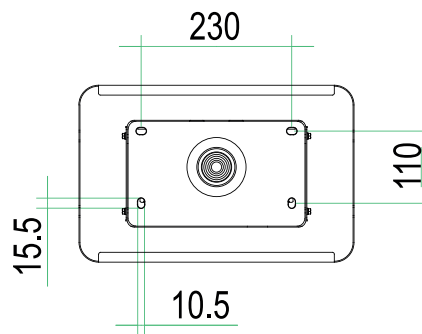
Input Amps	63a Three Phase
Input voltage	415V AC
Input frequency	50HZ
Output voltage	415V AC
Max. output power	22KW per socket
Max. output current	32A per socket
Charging interface type	IEC 62196-2, Type 2

Protection

Over voltage protection	✓
Under voltage protection	✓
Over load protection	✓
Short circuit protection	✓
Earth leakage protection	✓
Over-temp protection	✓
Surge protection	✓
PEN fault protection	✓
Anti tamper Switch	EVA-07D-SE-RFID-C Model Only

Function & Accessory

LCD	Yes
Ethernet/WIFI/4G	Yes/Yes/Opt.
Outlet Type	Type 2 (socket)
Number of outlets	2
RCBO	Type A +6mA DC fault current protection (Equivalent to Type B)
LED Indicator light	✓
Mid Metering	✓
Emergency stop button	✓
RFID	✓
Dynamic Load Management	Modbus Meter Only (EV-TPM)



Working Environment

Protection degree	IP65
Environment temperature	-25°C~+50°C
Relative humidity	0-95% non-condensing
Cooling	Natural air cooling
Standby power consumption	<8W
IK Rating	IK10

Mechanical

Dimension (W/H/D)	320/1635/175mm
Weight	30KG

Mounting & Accessories

Ground-mounting	Opt. EV-GMEVA-D-2
Recommended base size (W/H/D)	600/600/400mm
Dynamic Load Management	Opt. EV-TPM-200A

Certification

CE	✓
SA8000 Accredited	✓
OZEV Approved	✓
UKCA	✓

